

**ISO 9001:2008**  
CERTIFIED COMPANY



**SPX**



**SPT**

### FEATURES

- Accurate at low flows
- Simple and durable
- Compatible with a variety of chemicals
- Visual flow monitoring (SPX Only)

### APPLICATIONS

- Low flow monitoring
- Chemical batching
- Proportional chemical injection
- Fertilizer injection

### GENERAL INFORMATION

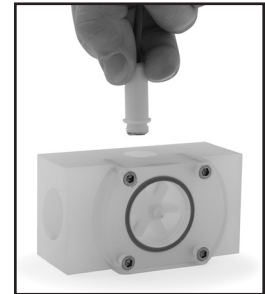
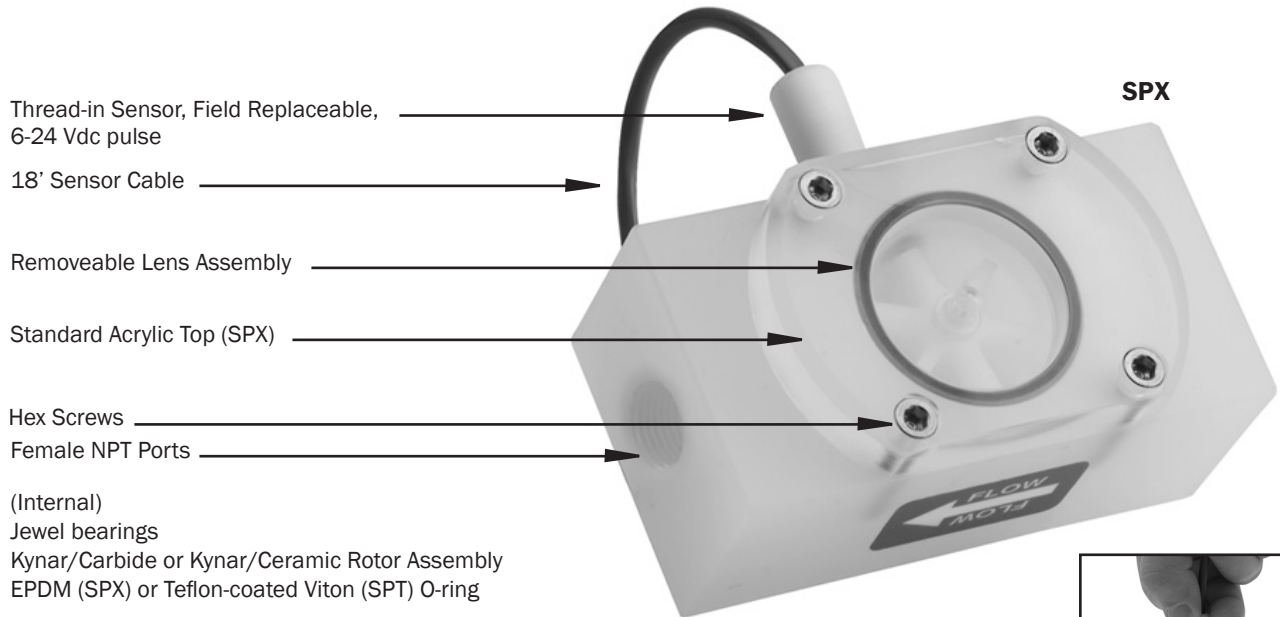
These versatile impeller flowmeters are available in 3/8", 1/2", 3/4", and 1" nominal pipe sizes with female NPT threads. They employ jewel bearings to allow for very low minimum flow rates and superior life.

With a body material of polypropylene, the **SPX** is an economical choice for metering water or low corrosion fluids. The lens cover is available in a choice of materials: acrylic for visual flow indication of low-corrosion fluids; polypropylene when more corrosion resistance is needed. The standard rotor assembly is Kynar with tungsten carbide shaft. The O-ring is EPDM.

The **SPT** offers greater chemical resistance with a Teflon body and cover, Teflon-coated Viton O-ring, and standard Kynar/ceramic rotor assembly.

The pulse output of these meters is compatible with many different types of controls, including a full range of Seametrics rate displays and controls. The Seametrics FT420 provides flow rate and total flow indication, with 4-20 mA output capability. The FT415 is a battery-operated rate & total display. For metering pump pacing or interfacing with lowspeed counters, the PD10 pulse divider is recommended. The A055 may be used for blind 4-20mA transmission.

### FEATURES



FIELD REPLACEMENT  
OF SENSOR

### SPECIFICATIONS\*

	SPX	SPT
<b>Connection Ports</b>	3/8", 1/2", 3/4", 1", Female NPT thread	3/8", 1/2", 3/4", 1", Female NPT thread
<b>Sensor Cable</b>	18 feet standard (Maximum cable run 2000 ft.)	18 feet standard (Maximum cable run 2000 ft.)
<b>Materials</b>		
<b>Body</b>	Polypropylene	TFE Teflon
<b>Rotor</b>	PVDF (Kynar)	PVDF (Kynar)
<b>Shaft</b>	Nickel tungsten carbide	Zirconia ceramic
<b>O-Ring</b>	EPDM	Teflon-coated Viton
<b>Bearings</b>	Ruby ring and ball	Ruby ring and ball
<b>Cover</b>	Acrylic	TFE Teflon
<b>Maximum Temperature</b>	160° F (70° C)	180° F (82° C)
<b>Maximum Pressure</b>	150 PSI (10 bar)	150 PSI (10 bar)
<b>Accuracy</b>	±1% of full scale	±1% of full scale
<b>Power</b>	5-24 Vdc, 2 mA min	5-24 Vdc, 2 mA min
<b>Outputs</b>	Current sinking pulse, 6-24 Vdc	Current sinking pulse, 6-24 Vdc

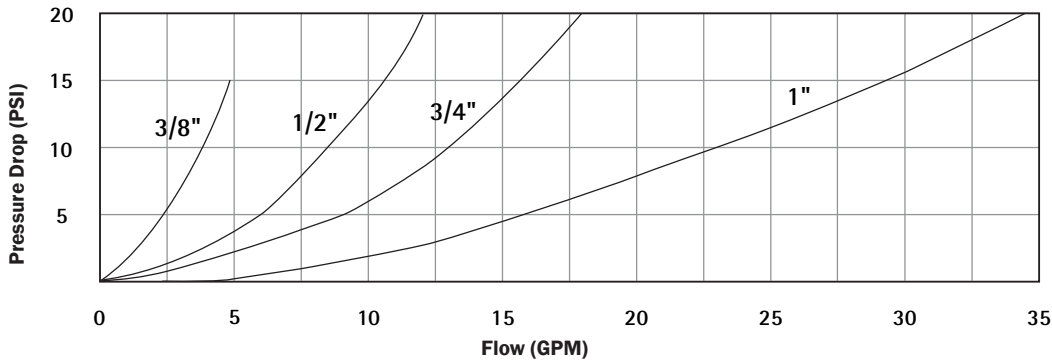
\*Specifications subject to change • Please consult our website for current data ([www.seametrics.com](http://www.seametrics.com)).

## FLOW RANGE

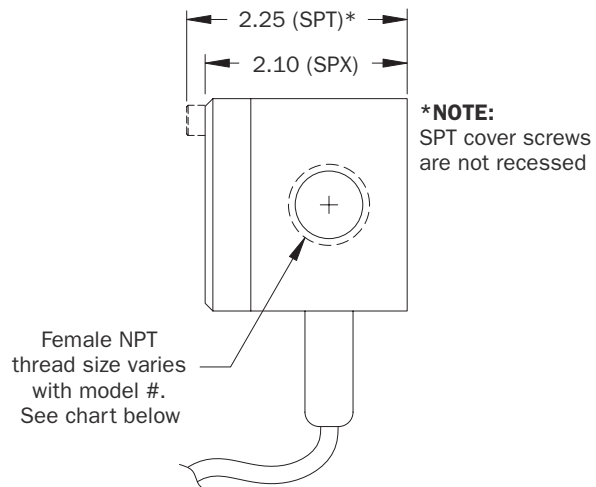
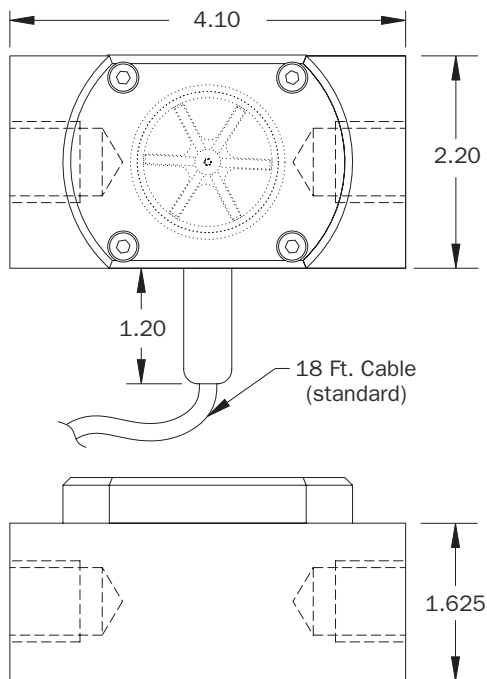
Model #	*K-Factor (pulses/Gal)		Gal/Min	Liter/Min
	SPT	SPX		
-038	1394	1417	0.07-5	0.27-18.9
-050	634	658	0.1-10	0.38-37.9
-075	476	468	0.2-20	0.75-75
-100	250	254	0.5-40	1.9-150

\*Nominal K-factors (based on averages) for standard 2-magnet SPT and SPX.  
High resolution (6-magnet) K-factors are approximately tripled.

## PRESSURE DROP CURVES



## DIMENSIONS



Model #	NPT Thread Size
-038	3/8"
-050	1/2"
-075	3/4"
-100	1"

## HOW TO ORDER

### MODEL

Polypro/Acrylic = **SPX**

TFE Teflon = **SPT**

### SIZE

3/8" (0.07-5 GPM) = **-038**

1/2" (0.1-10 GPM) = **-050**

3/4" (0.2-20 GPM) = **-075**

1" (0.5-40 GPM) = **-100**

### OPTIONS

Ceramic shaft (SPX) = **-01**

Micropower pickup (use with FT415 or DL76 only) = **-04**

Standard Power, LMI 4-pin Connector = **-06**

Standard Power, Seametrics Control Connector = **-07**

Polypro cover (SPX) = **-12**

High resolution rotor = **-13**

Teflon-coated Viton O-ring (SPX) = **-25**

Viton O-ring (SPX, SPT) = **-60**

Silicon carbide shaft = **-68**

EPDM O-ring (SPT) = **-69**

SAE Threads = **-70**

Roytronics® Series A Pump 5-pin Connector = **-106**

BSP Threads = **-116**

### ACCESSORIES

Rate and Total Indicator, DC powered = **FT420**

Rate and Total Indicator, Battery powered = **FT415**

Blind Analog Transmitter (4 to 20 mA) = **AO55**

Batch Flow Processor = **FT520**

Data Logger = **DL76**

Plug-in Power Converter, 100-115 Vac, 24 Vdc = **PC3**

DIN or Wall Mount Power Converter, 100-115 Vac, 24 Vdc = **PC12**

## SUPPLIER CONTACT INFORMATION



Taniya Infratech Co., Ltd.

965/234 Rangsit-Nakornnayok Rd., Prachathipat, Thunyaburi, Pathumthani 12130

Tel : 02-5498009 Fax : 02-5498010

www.taniyainfratech.com, www.thaiflowmeter.com Email : info@taniyainfratech.com