

# Mass Flow Control / Measurement Unit

# CUBEMFC



## Features

- Compact and lightweight integral unit
- Easy flow Measuring / Controlling
- Flow rate display and setting functions
- SET / OUT switching function
- External output terminals are provided on the rear



\*Can be used both horizontally and vertically

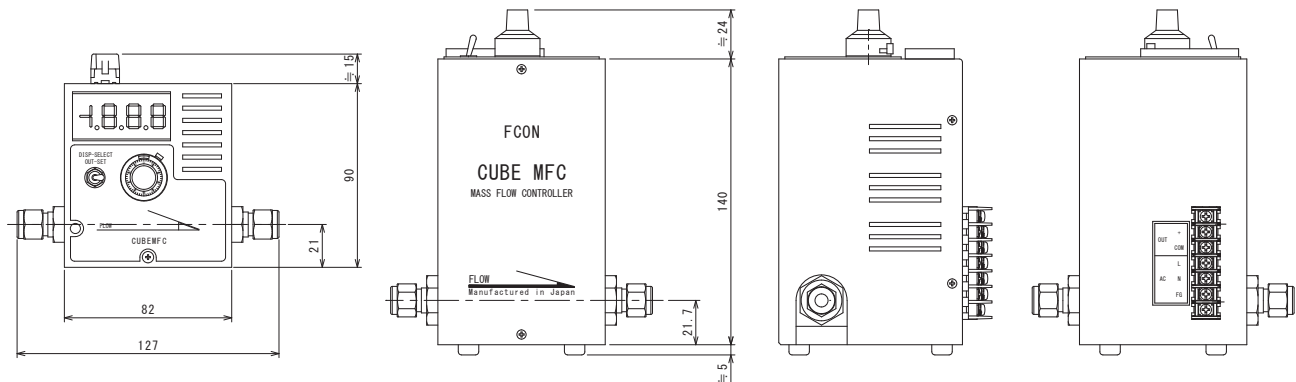
## Specification

Model	CUBEMFC1005
Gases	Most gases (e.g., air, nitrogen, carbon dioxide, argon, hydrogen, helium, methane, oxygen)
Valve type	Normally Open
Flow range*	10SCCM-5SLM
Flow rate control range	5-100% F. S.
Accuracy	±2%F. S. (Accuracy guaranteed between 15-35°C)
Repeatability	±0.2%F. S.
Response speed	less than 6sec
Operating differential pressure	50-300kPa
Pressure Resistance	1MPa (G)
Leak Integrity	1×10 <sup>-7</sup> Pa·m <sup>3</sup> /sec (He)
Operating temperature	5-50°C less than 85% RH
Wetted surface material	SUS316, PTFE, Fluoro-Rubber
Seal material	Fluoro-Rubber
Setting signal	0.25-5VDC
Output signal	0-5VDC
Standard fitting**	1/4in. SWL (equivalent), One-touch fittings
Mass flow control	10-turn potentiometer
Display	Instantaneous flow: 4 digits
Input power	AC85-264V
Output terminal	Setting signal / Output signal : 0-5VDC

\* At FCON, flow rates (SCCM, SLM) are converted to values at 0°C, 101.3kPa abs (1atm) for calibration.

\*\* For other fitting, please contact us.

## Dimensions



### Face to face dimensions

1/4in. SWL (equivalent) : 127mm  
One-touch fittings : 137mm

External output terminals are provided on the rear

## Ordering

CUBEMFC 1005 – 4F2 – 1L – N2

1                      2                      3                      4

### 1. Series

1005 : 10SCCM - 5SLM

### 3. Full scale

Example : 50 (50SCCM)  
Example : 5L (5SLM)

\*Consult factory for other fittings.

### 2. Fitting\*

4S2 : 1/4in. SWL (equivalent)  
KQ2 : One-touch fittings

### 4. Gas types

Example : N2



Taniya Infratech Co., Ltd.

965/234 Rangsit-Nakornnayok Rd., Prachathipat, Thunyaburi, Pathumthani 12130

Tel : 02-5498009 Fax : 02-5498010

www.taniyainfratech.com, www.thaiflowmeter.com Email : info@taniyainfratech.com