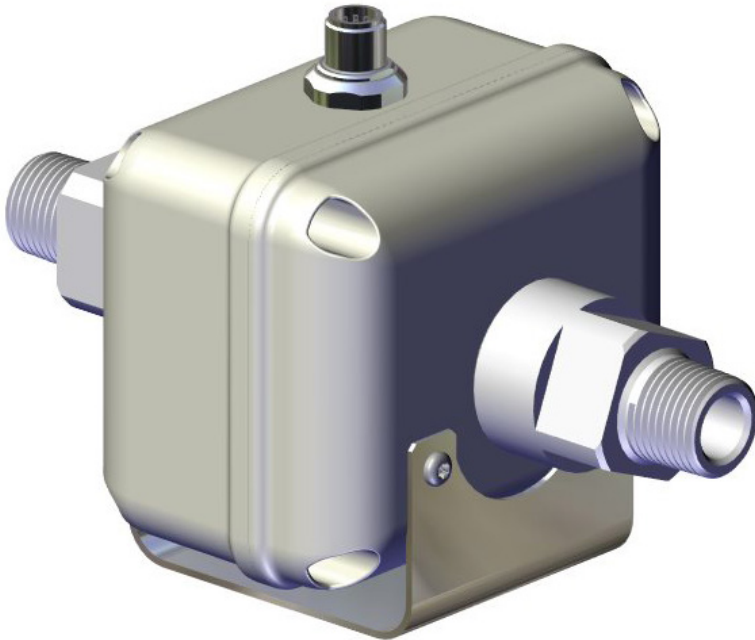


FEATURES

- No moving parts
- Requires no straight pipe
- Pulse and/or 4-20 mA output
- Chemical and corrosion resistant
- Insensitive to fluid density and fluid viscosity changes



APPLICATIONS

- Chemical injection
- Corrosive materials
- Low flow applications
- Pulsating flows (e.g., metering pump)

GENERAL INFORMATION

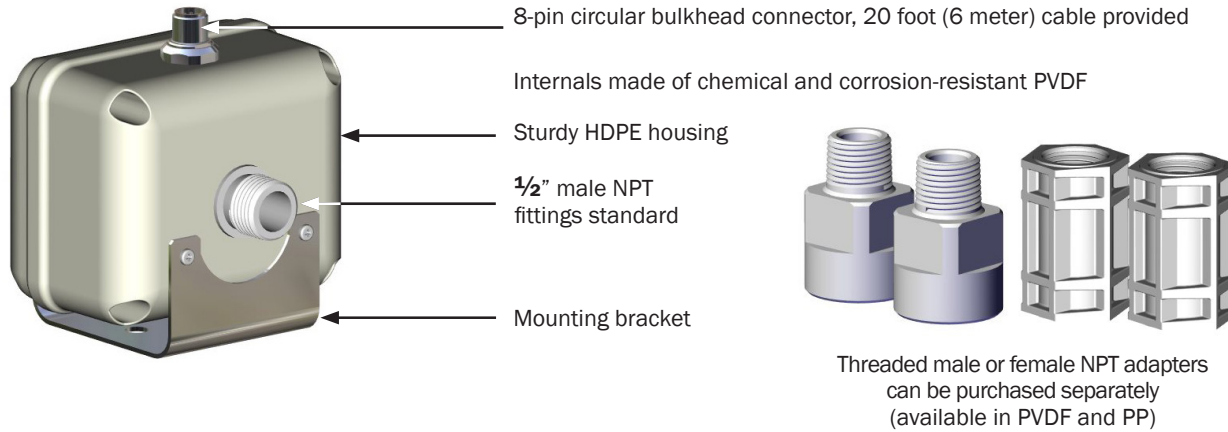
The **PE202 magmeter** is designed for low-flow chemical injection or difficult-to-meter applications with pulsating metering pumps in 3/4" to 1/4" pipe/tube. The housing is made of sturdy splashproof HDPE plastic.

With no moving parts, the PE202 can handle fluids containing particulate matter without clogging or jamming, keeping maintenance at a minimum. With no metallic parts (100% PVDF body and PVDF carbon fiber-filled electrodes), the meter is corrosion-resistant and compatible with a wide range of chemicals. Accuracy is maintained with conductive fluids (>20 microSiemens) of varying viscosities and densities.

The PE meter is compact enough to fit most pump/injection systems. With zero straight pipe required after an elbow, it can be easily mounted in tight spaces. The mounting bracket adds stability.

The PE meter has an optoisolated current sinking pulse output that can be connected to the Seametrics FT420 rate/total display or FT520 batch processor, as well as an optoisolated 4-20 mA current loop for powering analog devices. Outputs and power are provided through a 20 foot (6 meter) cable with 8-pin female circular connector.

FEATURES



SPECIFICATIONS*

Pipe Size		3/4", 1/2", 3/8", 1/4"***
Fittings		1/2" NPT fittings standard in 3/4" or 3/8" flowbody. NPT threaded adapters available for above pipe sizes.
Materials	Body	PVDF
	Electrodes	PVDF carbon fiber filled
	Ground	PVDF carbon fiber filled
	Housing	HDPE with 25% glass
	Adapters (NPT)	Polypropylene or PVDF
Temperature	Ambient	0° to 130° F (-18° to 54° C)
	Fluid	32° to 200° F (0° to 93° C)
Pressure		150 psi
Flow Range	-075	20 GPM Max. (0.2 GPM cut off)
	-038	3 GPM Max. (0.03 GPM cut off)
Accuracy	-075	+/- 1% plus +/- 0.005 GPM of reading across rated range
	-038	+/- 1% plus +/- 0.002 GPM of reading across rated range
Output Signal		Optoisolated current sinking or current sourcing pulse output: 30 Vdc, 5 mA max Optoisolated 4-20 mA current loop: 7 Vdc plus load voltage drop min; 50 Vdc max
	-075	PE202-075: 500 pulses/liter (1892 pulses/gallon),
	-038	PE202-038: 1,000 pulses/liter (3785 pulses/gallon).
Power		10-15 Vdc, 150 mA (linear power supply recommended)
Conductivity		>20 microSiemens
Empty Pipe Detection		Hardware/software, conductivity-based
Environmental		NEMA 4X standard; IP 66 Splashproof standard

*Specifications subject to change • Please consult our website for current data (www.seametrics.com).

**Requires adaptors

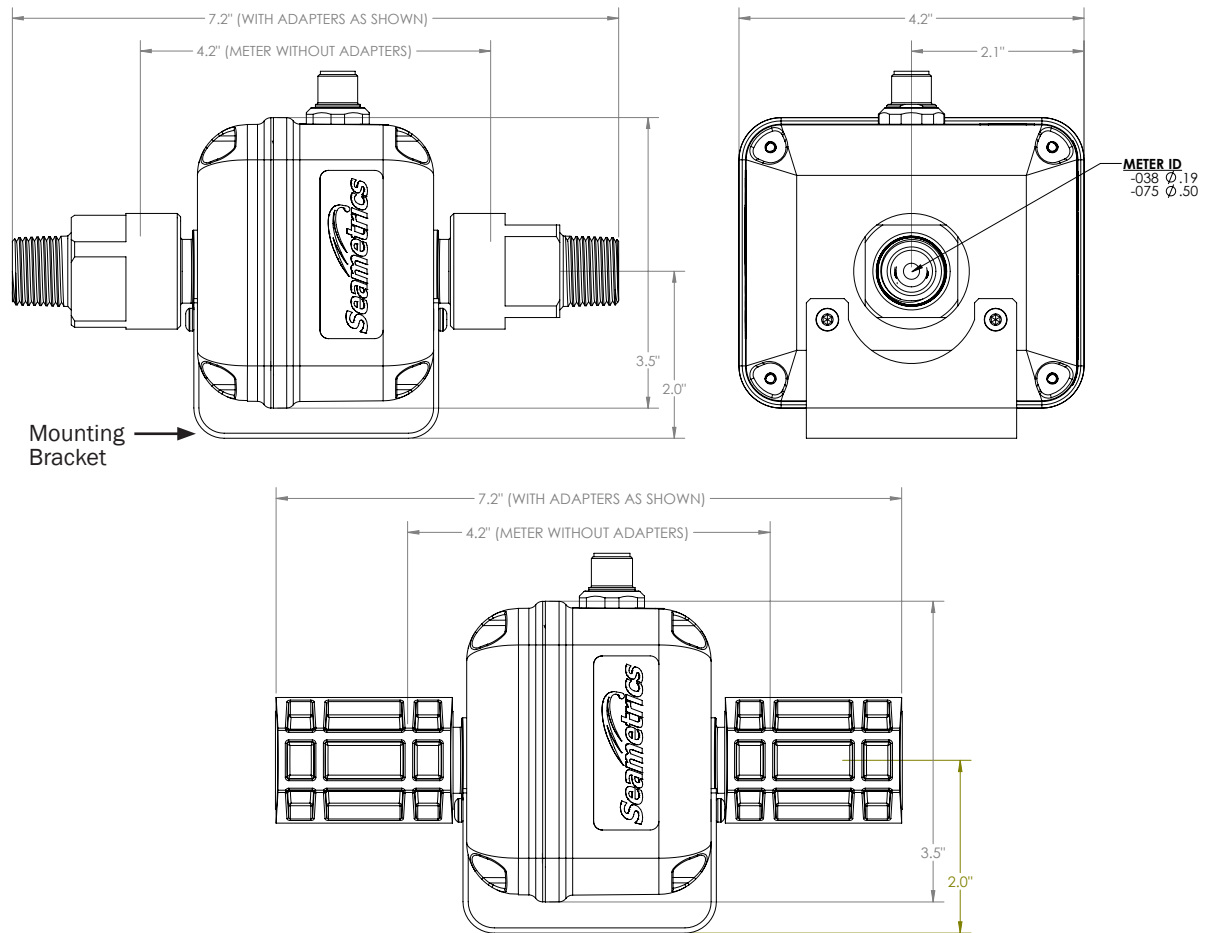
NOTE: Consult factory for applications flowing sodium hypochlorite, sodium chlorite, sodium chlorate.

For applications with the listed chemicals, the following conditions apply:

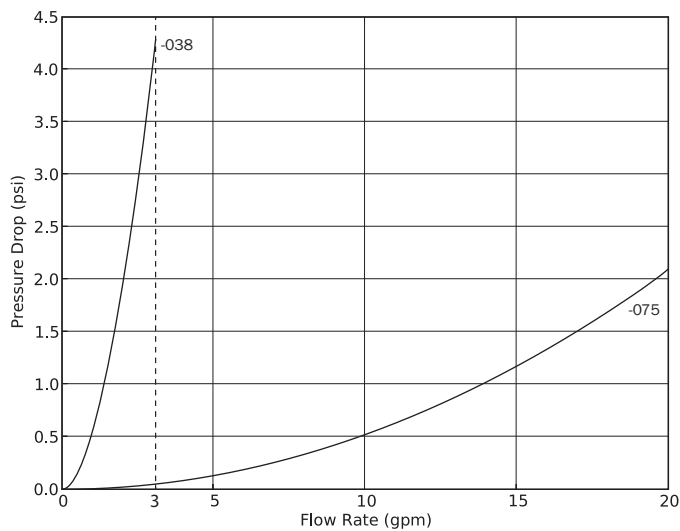
Max. Concentration 15% / Max. Temperature 100° F

Flow is greater than 20% of max. for accurate reading

DIMENSIONS



PRESSURE DROP CURVE



PE202-075 with 3/4" adapters.
PE202-038 with 3/8" adapters.
 Actual curve dependant on pipe size/fittings

HOW TO ORDER

MODEL	SIZE	FITTINGS
PE202	3/4" = -075 3/8" = -038	Meter comes standard with 1/2- 14 MNPT Fittings
PE202		

ACCESSORIES
Rate and Total Indicator = **FT420**
Batch Flow Processor = **FT520**
Single 12Vdc Regulated Power Supply = **PC12**
Dual 12 - 24Vdc Regulated Power Supply = **PC42**

Adapter Options:

103411	PE202 PVDF Adapter Kit 1/2" FNPT
103412	PE202 PVDF Adapter Kit 1/4" MNPT
103413	PE202 PP Adapter Kit 1/4" MNPT
103414	PE202 PVDF Adapter Kit 3/8" MNPT
103415	PE202 PP Adapter Kit 3/8" MNPT
103416	PE202 PVDF Adapter Kit 1/2" MNPT
103417	PE202 PP Adapter Kit 1/2" MNPT
103418	PE202 PVDF Adapter Kit 3/4" MNPT
103419	PE202 PP Adapter Kit 3/4" MNPT

CONTACT YOUR SUPPLIER



Taniya Infratech Co., Ltd.

965/234 Rangsit-Nakornnayok Rd., Prachathipat, Thunyaburi, Pathumthani 12130

Tel : 02-5498009 Fax : 02-5498010

www.taniyainfratech.com, www.thaiflowmeter.com Email : info@taniyainfratech.com