

PADDLE WHEEL LIQUID FLOW METER



Technical Data

Connecting size: 3/8", 1/2", 3/4", 1" NPT female standard

Power supply: 3.8V to 30VDC

Output: Sink(NPN)

Material: Body-polypropylene, PTFE, PVDF available
 Cover-acrylic, PP, PTFE, PVDF available
 Rotor-PVDF
 Shaft-ceramic
 Bearings-ceramic

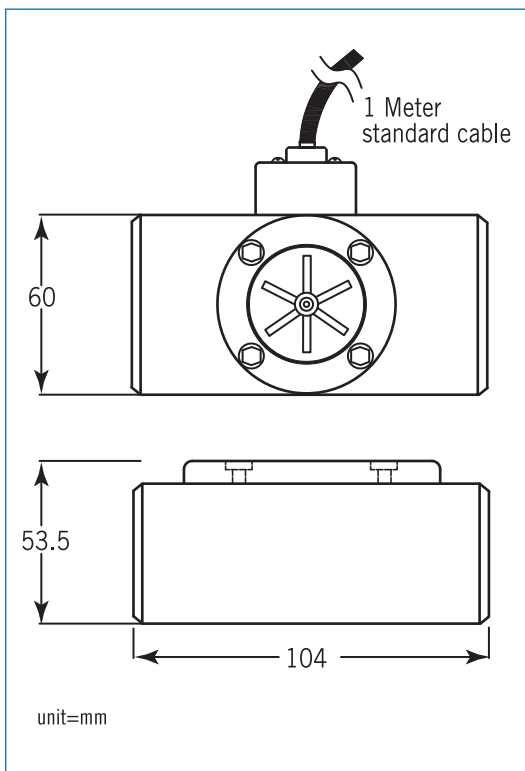
O-ring: Viton

Max. temperature: 70°C

Max. pressure: Polypropylene and PTFE-10kg/cm²
 PVDF-15kg/cm²

Accuracy: ±2%F.S

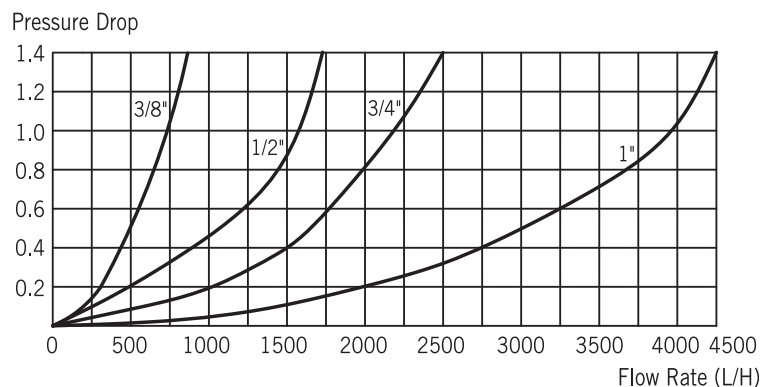
Dimensions



Range Table

| Size | Flow Rates /LPH | Nominal Factors Per Liter |
|------|-----------------|---------------------------|
| 3/8" | 20~800 | 398.32 |
| 1/2" | 30~1400 | 205.32 |
| 3/4" | 100~2100 | 150.32 |
| 1" | 120~4200 | 61.02 |

Pressure Drop: 3/8" ~ 1"



Ordering Information

| | | | | | |
|-------|------|---|---|------|------------------------|
| HF100 | Code | Process connection size | | | |
| | | (1) 3/8" (2) 1/2" (3) 3/4" (4) 1" | | | |
| | Code | Body material | | | |
| | A | Polypropylene | B | PTFE | C |
| | Code | Cover Material | | | |
| | | (1) Acrylic(standard) (2) P.P (3) PTFE (4) PVDF | | | |
| HF100 | | | | | Complete ordering code |