

PADDLE WHEEL LIQUID FLOW METER

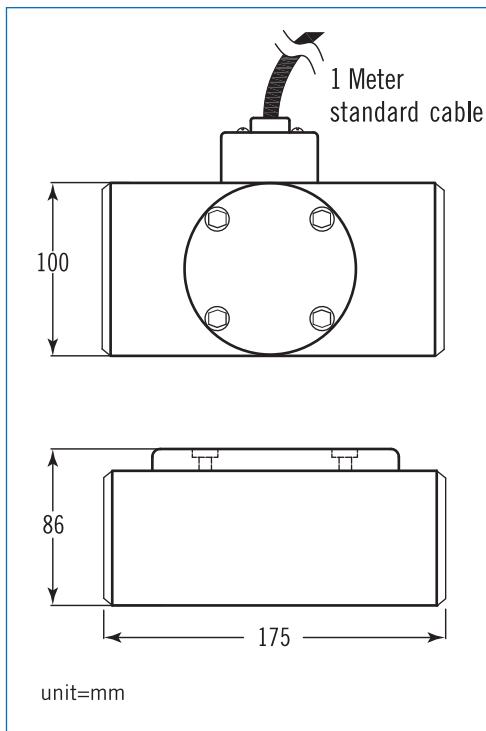
HF200 

Technical Data

- Connecting size:** 1½” NPT female standard
- Power supply:** 3.8V to 30VDC
- Output:** Sink(NPN)
- Material:** Body– Polypropylene, PVDF available
 Cover– PP, PVDF available
 Rotor– PVDF
 Shaft– HC276
 Bearings– PVDF
- O-ring:** Viton
- Max.temperature:** 70°C
- Max.pressure:** Polypropylene-10kg/cm²
 PVDF-15kg/cm²
- Accuracy:** ±2%F.S



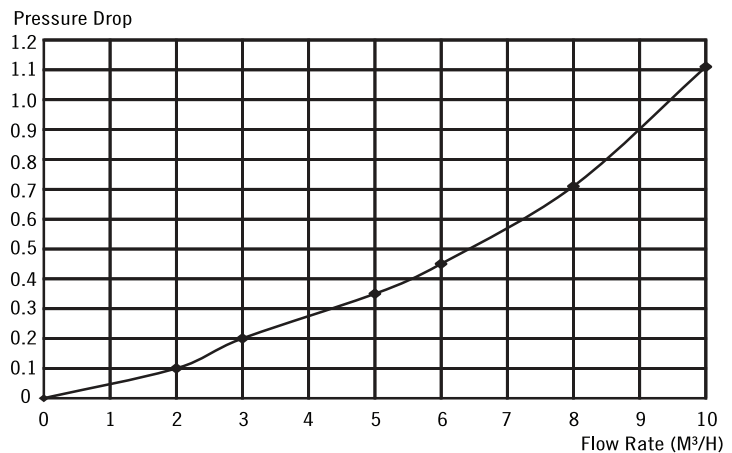
Dimensions



Range Table

Size	Flow Rates /M ³ H	Nominal Factors Per Liter
1½”	1~10	7.1

Pressure Drop: 1½”



Ordering Information

HF200	Code	Process connection size
		(1) 1½”
	Code	Body material
	A	Polypropylene
	B	PVDF
	Code	Cove Material
	(1) P.P (2) PVDF	
HF200		Complete ordering code